

FOSCHF Horizontal Fiber Optic Splice Closure

Pictures



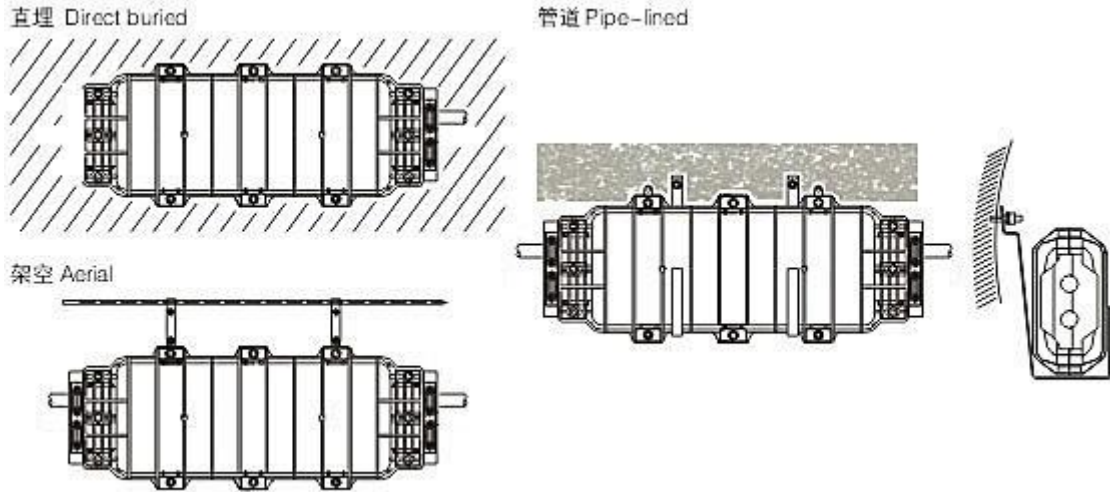
Characteristics

- Holds up to 48 fibers and easy to re-enter Cable entry/exit ports
- Pressure testing valve and earth deriving device
- Integrated seal, air tight and water proof
- Ideal for cable repair and RoHS compliant

Applications

- Duct
- Aerial

Direct buried



Parameters

Outside dimension (LxWxH)	430x200x80 (mm)
Weight (excluding outside box)	1650g-1800g
Number of inlet/outlet ports	2 (pieces) on each side (total 4 pieces)
Diameter of fiber cable	Φ8—Φ23(mm)
Capacity of FO SC	Bunchy: 48 (Cores)

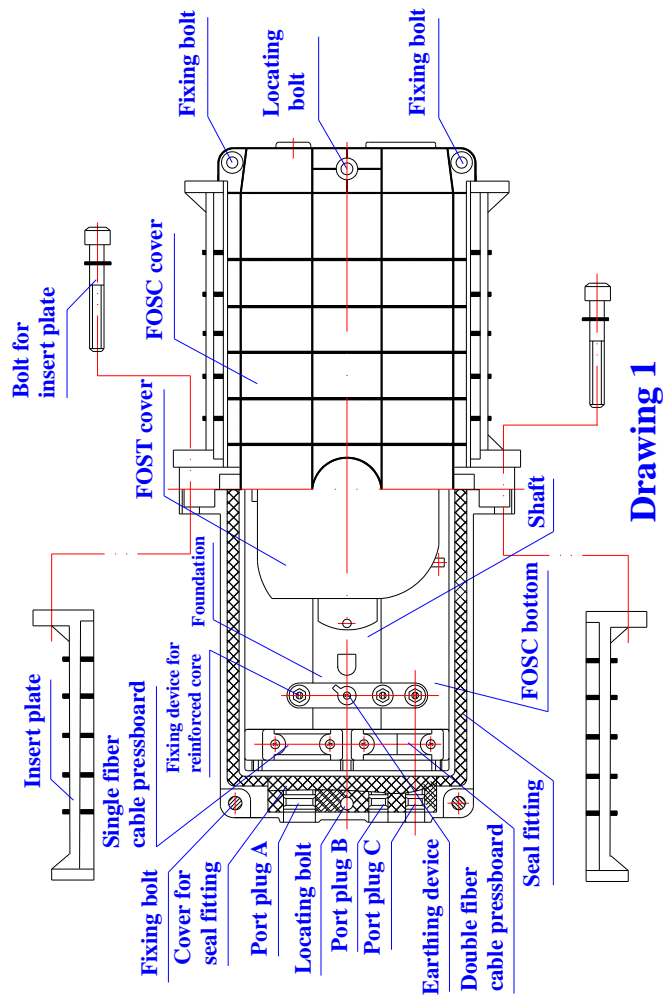
Main components

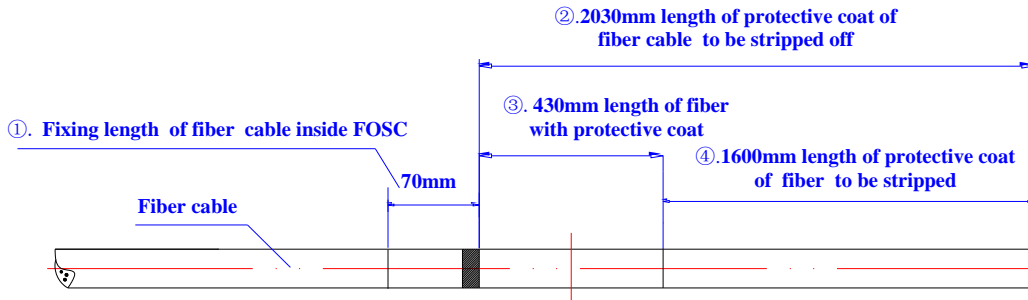
Name of tools	Usage
Fiber cutter	Cutting off fibers
Fiber stripper	Strip off protective coat of fiber cable
Band tape	Measuring fiber cable
Scissor	
Metal wrench	Tightening nut of reinforced core
Screwdriver	Crossing/Paralleling screwdriver

Accessories

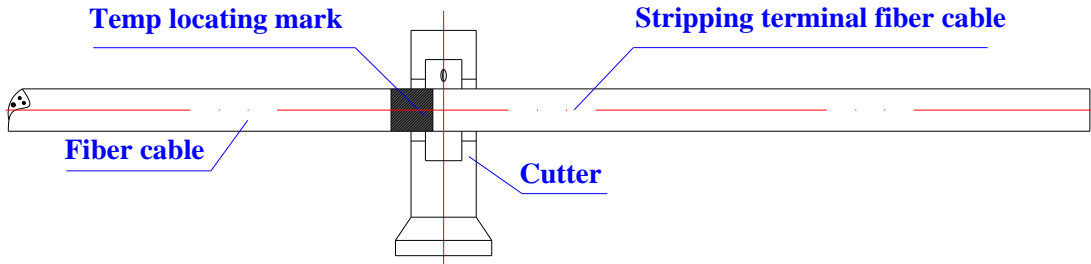
No.	Accessories	Quantity	Usage	Remarks
1	Heat shrinkable protective sleeve		Protecting fiber splices	Configuration as per capacity
2	Nylon tie		Fixing fiber with protective coat	Configuration as per capacity
3	Insulation tape	1 roll	Enlarging diameter of fiber cable for easy fixing	

4	Seal tape	1 roll	Enlarging diameter of fiber cable which fits in with seal fitting	Configuration as per specification
5	Hanging hook	1 set	For aerial use	
6	Earthing wire	1 piece	Putting through between earthing devices	
7	Abrasive cloth	1 piece	Scratching fiber cable	
8	Labeling paper	1 piece	Labeling fiber	
9	Special wrench	3 pieces	Fixing bolts, tightening nut of reinforced core	
10	Measuring paper	1 piece	To measure circle, of which its diameter is enlarged with seal tape	
11	Buffer tube	to be decided by customers	Hitched to fibers and fixed with FOST, managing buffer	Configuration as per requirement
12	Desiccant	1 bag	Put into FOSC before sealing for desiccating air.	

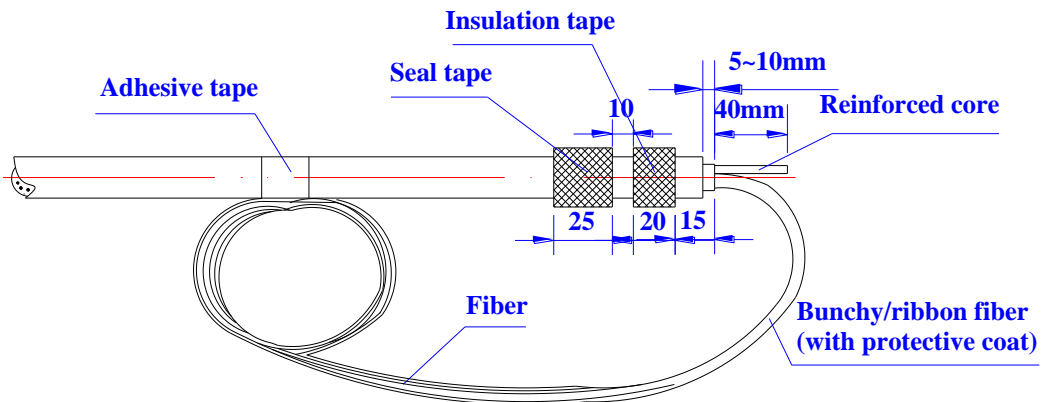




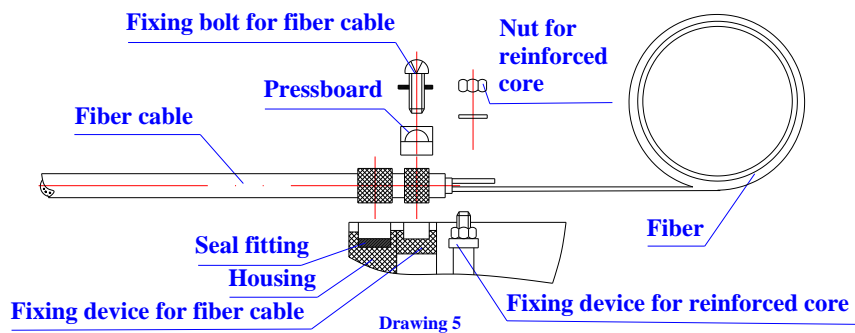
Drawing 2



Drawing 3



Drawing 4



Drawing 5

